

PolyGard® Stainless Steel Housing for AT/DT and ADT Transmitters

DESCRIPTION

Shapely designed stainless steel housing for enclosing the PolyGard AT/DT and ADT gas transmitter series equipped with a practical snap closing without screwing. To avoid unauthorized opening the housing can only be opened by the enclosed opening tool OT 01.



Opening tool

TECHNICAL DATA

Material	Stainless steel, 1 mm, corrosion-resistant
Colour	Natural, brushed
Protection class	IP 55
Dimensions	(W x H x D) 135 x 113 x 45 mm (5.35 x 4.5 x 1.8 in.)
Cable entry	Boreholes for M 20 screwing
Gas inlet	Direct
Weight	Approx. 0,5 kg (1.1 lbs.)
Mounting	Suitable for plane surfaces and pillars
Mounting accessories	M 20 screwing, screws

ORDERING INFORMATION

XT-5-XX-XX

Cover Stamping

- 1X Without stamping
- 2X MSR-E stamping¹
- 3X Customer's stamping¹

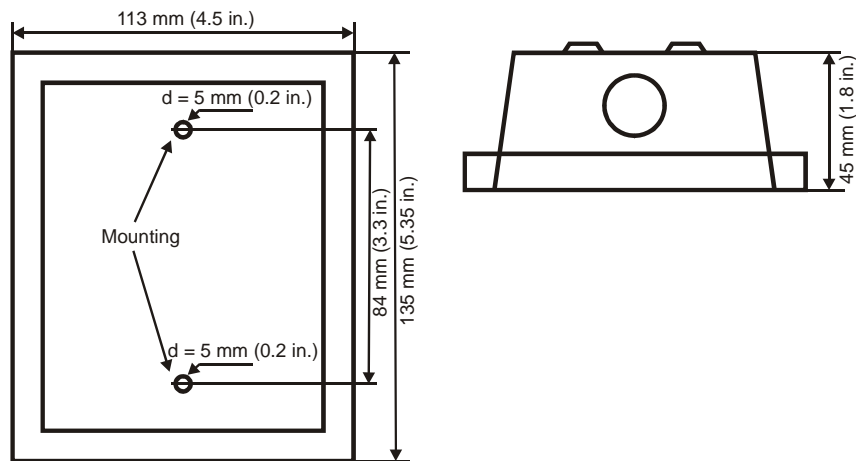
Cable entry

- X1 Cable entry above
- X2 Cable entry above /below
- X3 Cable entry back side²

¹ On request

² On request

DIMENSIONS



PolyGard® Plastic Housing for AT/DT and ADT Transmitters

DESCRIPTION

Plastic housing for enclosing the PolyGard AT/DT and ADT transmitter series.

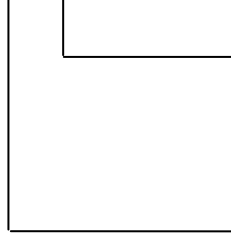


TECHNICAL DATA

Enclosure Plastic Type A*	Polycarbonate
Flammability	UL 94 V2
Enclosure color*	RAL 7032 (light grey)
Dimensions (W x H x D)	94 x 130 x 57 mm (3.7 x 5.12 x 2.24 inch.)
Weight	Approx. 0.5 kg (1.1 lbs.)
Protection class	IP 65
Installation	Wall mounting
Cable entry	Standard 1 x M 20
Wire connection	Screw type terminal, min. 0.25 mm ² (24 AWG) max. 2.5 mm ² (14 AWG)
Weight	Approx. 0,2 kg (0.44 lbs.)
Gas inlet	Inlet cap
Mounting	Suitable for plane surfaces and pillars
Mounting accessories	M 20 screwing, screws

ORDERING INFORMATION

XT-A-XX-XX

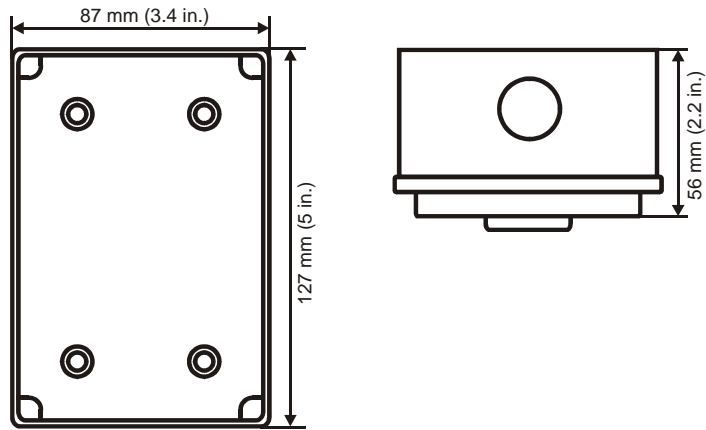


Cover Logo	
1X	Without Logo
2X	MSR-E Logo
3X	Customer's Logo ¹

Cable entry	
X1	Cable entry above
X2	Cable entry above /below
X3	Cable entry back side ²

¹ On request
² On request

DIMENSIONS



PolyGard® Splash Guard Housing (IP 65) for AT/DT and ADT Transmitters

DESCRIPTION

Splash guard housing for enclosing the PolyGard AT/DT and ADT transmitter series.



TECHNICAL DATA

Material	ABS
Colour	Light grey RAL 7035
Protection class	IP 65
Dimensions	(W x H x D) 122 x 120 x 80 mm (4.8 x 4.7x 3.15 in.)
Cable entry	Boreholes for M 20 screwing
Temperature range	-20 °C to 50 °C (- 4 °F to 122 °F)
Gas inlet	Splash guard
Weight	Approx. 0,5 kg (1.1 lbs.)
Mounting	Suitable for plane surfaces
Mounting accessories	M 20 screwing, screws

ORDERING INFORMATION

XT-4-XX-XX

Cover Logo

- 1X Without Logo
- 2X MSR-E Logo
- 3X Customer's Logo¹

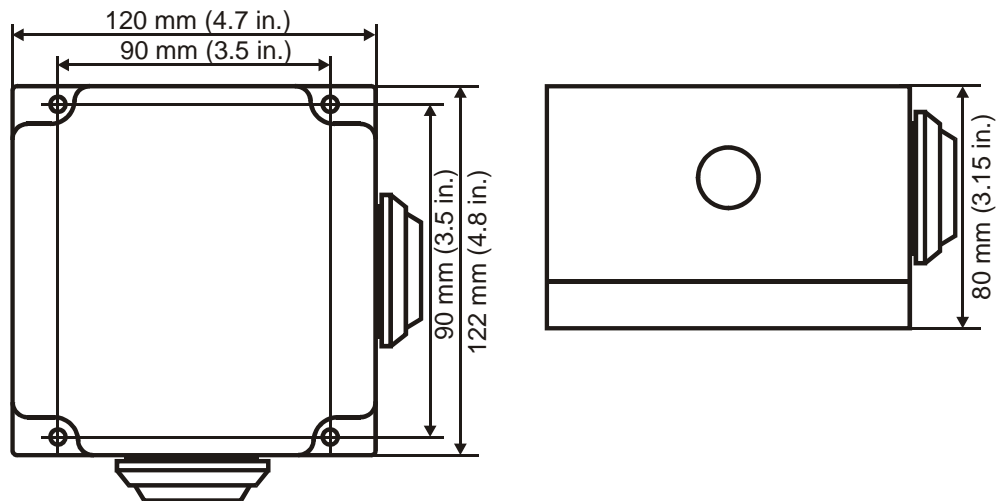
Cable entry

- X1 Cable entry above
- X2 Cable entry above /below
- X3 Cable entry back side²

¹ On request

² On request

DIMENSIONS



PolyGard® Housing for Duct Mounting of AT/DT and ADT Transmitters

DESCRIPTION

Plastic housing for enclosing the PolyGard AT/DT and ADT transmitter series including a set consisting of cap, tube and Pitot tube.



Plastic housing with duct mounting set

TECHNICAL DATA

Enclosure

Material	Plastic GWPLAST 2,5 mm (0.1 in.)
Colour	RAL 7032 (grey)
Protection class	IP 54
Dimensions	(W x H x D) 127 x 87 x 56 mm (5 x 3.4 x 2.2 in.)
Temperature range	-20 °C to 50 °C (-4 °F to 122 °F)
Cable entry	Borehole for M 20 screwing
Gas inlet	Duct mounting set
Weight	Approx. 0,2 kg (0.44 lbs)
Mounting	For plane surfaces
Mounting accessories	M 20 screwing, screws

Pitot tube

Material	Plastics ABS / polycarbonate
Colour	Grey
Flow speed	Max. 10 m/s
Temperature range	5°C to 50 °C (41 °F to 122°F)
Mounting	Duct mounting
Length of sampling	251 mm (9,88 in.), suitable for cutting to length
Accessories	Tube, cap

ORDERING INFORMATION

XT-B-XX-XX

Cover Logo

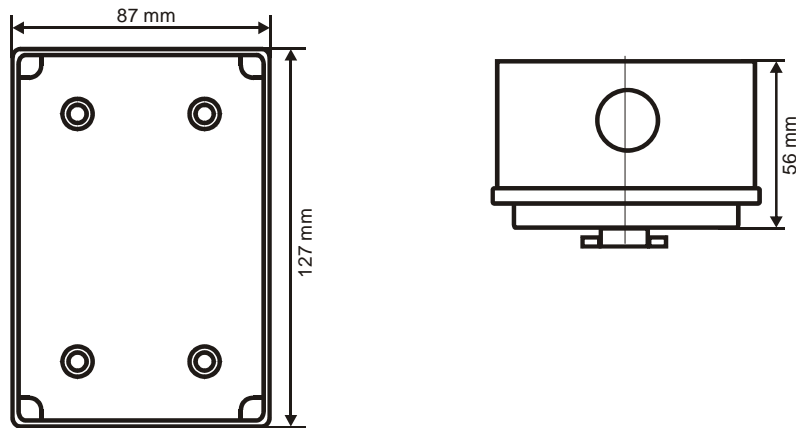
- 1X Without Logo
- 2X MSR-E Logo
- 3X Customer's Logo¹

Cable entry

- X1 Cable entry above
- X2 Cable entry below

¹ On request

DIMENSIONS



All Dimensions are in Inches

