

SIKA Kombitemp®, angle 90°

Casing 150 x 36 mm (without connection head)

A combined Industrial Thermometer and electrical temperature sensor.
Ranges between - 60°C and + 200°C

Kombitemp® **Type K 510** (adjustable coupling)
 Type K 520 (fixed thread connection)

- One point of measuring for both remote and local temperature monitoring / indication
- Based on an approved SIKA - Industrial Thermometer
- Standard immersion tubes
- Glass inserts and sensor elements can easily be exchanged as an unit
- Optionally with head transmitter 4-20 mA



Technical Data: **Type K 510**
 Type K 520

Industrial Thermometers angle version:

Casing :	die cast aluminum Length 150 mm, width 36 mm silver colored anodized
Thermometer-capillary in special glass:	prismatic, approx. 6 mm diameter with black graduations burnt into the glass
Ranges:	from -60°C to +200°C, the standard ranges can be found in the order code
Thermometric-liquid:	see page 13

Electrical temperature sensor

Measuring insert:	1 x Pt 100/3-wire 1 x Pt 1000/2-wire
Connection head:	DIN 43729 Form B
Ambient temperature:	max 80°C
Head transmitter: (Option)	4-20 mA, 0-10 V Ambient temperature max 80°C adjusted on range of thermometer

Standard immersion tubes:

Diameter:	10x1 mm
Material:	brass 2.0321, for pressures up to PN 16 bar st. steel 1.4571, for pressures up to PN 40 bar
Standard lengths L1:	K 510: 135mm, ET 50 160mm, ET73 K 520: 63 mm 100 mm 160 mm
Coupling:	K 510: adjustable coupling G 1/2 male zinc plated steel in brass immersion tube, stainless steel in stainless steel immersion tube K 520: thread connection G 1/2 male or M20x 1,5

Other immersion tube dimensions, materials and threaded connections on inquiry.

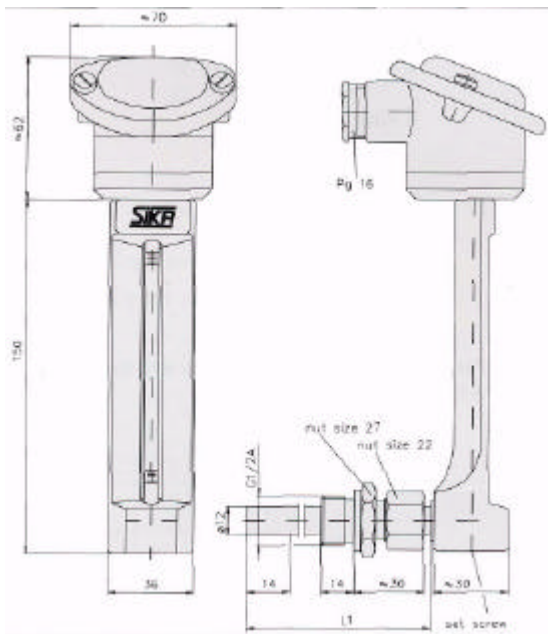
Types K 510 and K 520

Order-code =		Type +	Length +	Connection*	Material +	Electr. sensor +	Transmitter
Execution	Ranges	Type	Immersion tube length	Connection	Immersion tube material	Electrical Temp. sensor	Head transmitter
Adjustable coupling	-60... +40°C	K51064	135 = 135 mm 160 = 160 mm	2 = adjustable coupling G 1/2 male	1 = brass (2.0321) 3 = st. steel (1.4571)	1 = 1xPt100/3-wire 7 = 1xPt1000/2-wire	0 = without 1 = with Transmitter
	-30... +50°C	K51035					
	0... +60°C	K51006					
	0... +100°C	K51010					
	0... +120°C	K51012					
	0... +160°C	K51016					
	0... +200°C	K51020					

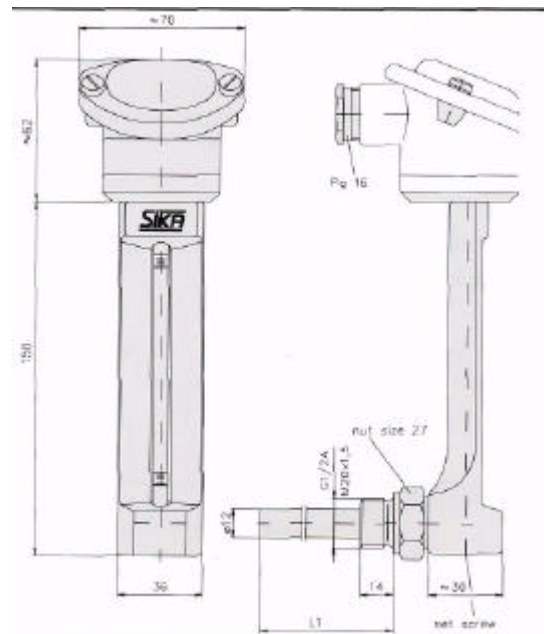
Execution	Ranges	Type	Mounting length	Connection	Immersion tube material	Electrical Temp. sensor	Head transmitter
Fixed thread connection	-60... +40°C	K52064	063 = 63 mm 100 = 100 mm 163 = 163 mm	2 = G 1/2 male 7 = M20x1,5	1 = brass (2.0321) 3 = st. steel (1.4571)	1 = 1xPt100/3-wire 7 = 1xPt1000/2-wire	0 = without 1 = with Transmitter
	-30... +50°C	K52035					
	0... +60°C	K52006					
	0... +100°C	K52010					
	0... +120°C	K52012					
	0... +160°C	K52016					
	0... +200°C	K52020					

Thermometric liquid: blue liquid standard for ranges up to +200°C (-60... + 40 °C red liquid)

Attention: Other threaded connections on request. Please see datasheet EH 12000 for technical data and order code.



Type K 510



Type K 520

Subject to technical modifications.