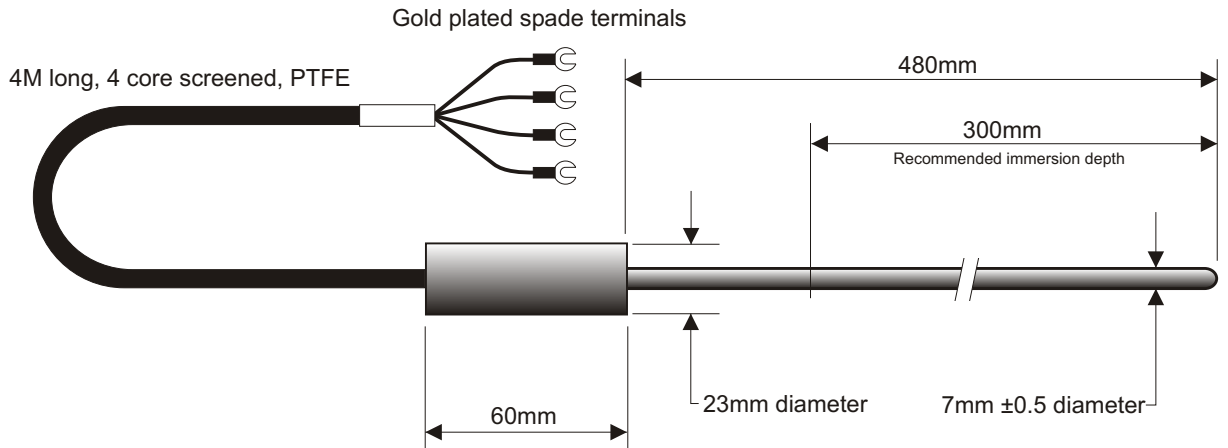


## Resistance Thermometer

Primary Standards



### specification

Temperature range	-189°C to +660°C
Resistance at 0°C	25.5 ohms nominal
Temperature coefficient	0.003925 ( $\alpha_{0.100}$ )
W (Gallium)	$\geq 1.11807$
W (Mercury)	$\leq 0.844235$
Sheath material	Fused Quartz
Recommended measuring current	1 mA
Self heating error in still water	Typically 2-3mK at 1 mA measuring current
Reproducibility	$\pm 0.001^\circ\text{C}$
Response time	Typically 10-15 seconds

**-189°C to +660°C**

### order codes

T25-660-1	Supplied without calibration, but without protective case
T25-660-1 -NAM	Supplied with UKAS calibration and protective case
T25-660-1-NPL	Supplied with NPL calibration and protective case